

# CARPORT MONOPITCH- H2700 HELIOS



## Materials

- Anodized Aluminum Alloy 6005
- Inox A2 Screws
- Steel column & beam of 6mm thickness

## Technical characteristics

- Series: H2700
- Type: CARPORT
- Application: Outdoor parking areas
- Standard alignment: 4 Panels Landscape
- Standard Inclination: 6°
- Foundation: Reinforced concrete
- Appropriate panel width 1130mm – 1140mm
- Electrostatic painting of steel
- Snow load: up to 150 kg/m<sup>2</sup>
- Wind speed: up to 33 m/s

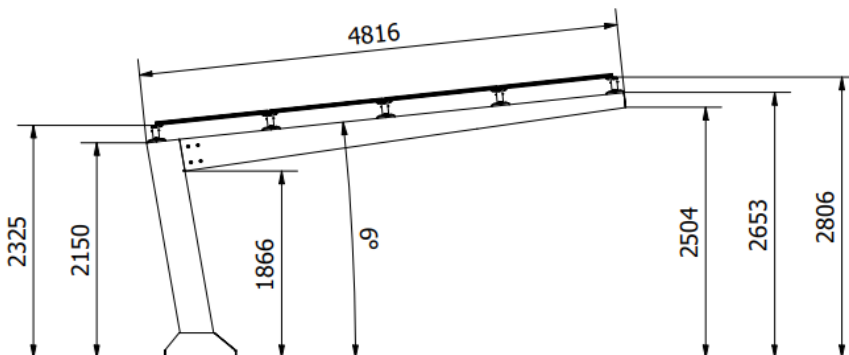
## Certification

- Static Analysis According Eurocodes 3,9 & CFD Analysis
- ISO 9001 / ISO 14001 / ISO 50001
- TUV CERTIFICATE
- Technical Manual

## H2700-CARPORT Sturdy construction with high aesthetics

- ✓ Utilization of outdoor parking spaces for the production of clean "green" energy.
- ✓ Special design that allows smooth and safe entry and exit of vehicles, with reduced risk of damage.
- ✓ Waterproof design.
- ✓ Effective protection of vehicles from sun or rain and high resistance to heavy snowfall.
- ✓ Ability to install LED lighting with concealed wiring.
- ✓ Expendable structure to cover large parking areas.
- ✓ Cable management solution.
- ✓ Quick installation.

## TECHNICAL DETAILS



Profile	H2704
W = width (mm)	62,6
H = Height (mm)	141
Weight (kg/m)	3,84
Lengths (m)	Engineered to order

